



PERFORMANCE DATA SHEET

Meets or exceeds MEPS (Minimum Efficiency Performance Standards), as described by the US Department of Energy in docket 10CFR431 and Natural Resources Canada's Amendment 14

Catalogue #: MTR-202FDCH

| HP | kW | Voltage | Frequency | EFF. | P.F. | Frame | Design | F.L. RPM |
|----|------|-----------------|-----------|-------|-------|-------|--------|----------|
| 2 | 1,49 | 115 / 208 - 230 | 60Hz | 83,0% | 0,992 | 56HC | B | 3510 |

| FLA | | | Service Factor | N.L. Amps @ 115V | N.L. Amps @ 230V | KVA Code | L.R. Amps @ 15v | L.R. Amps @ 230v |
|-------|-----|------|----------------|------------------|------------------|----------|-----------------|------------------|
| 115 | 208 | 230 | | | | | | |
| 15,92 | 8,8 | 7,96 | 1,15 | 2,45 | 1,225 | H | 116 | 58 |

| Start Cap. | Run Cap. | Main Winding Ω 115V @ 25°C | Main Winding Ω 230V @ 25°C | Auxillary Winding Ω @ 25°C | Safe Cold Start (Secs) |
|--------------------|-------------------|-----------------------------------|-----------------------------------|-----------------------------------|------------------------|
| 350 μ f/300vac | 80 μ f/450vac | 0,2100 | 0,850 | 0,690 | 12 |

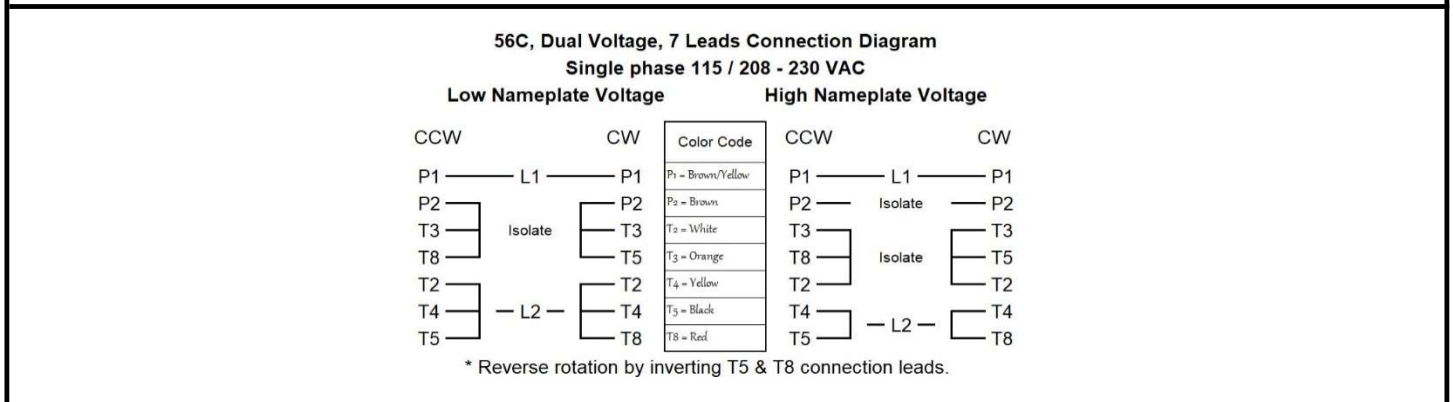
| Wgt. Lbs | PH | Duty | Insul. Class | Amb. | Elevation | Temp. Rise° C |
|----------|----|-------|--------------|------|------------------|---------------|
| 40 | 1 | Cont. | F | 40°C | 1000M (3,300 Ft) | 42 |

| % Efficiency | | Power Factor | | Torque | | Protection |
|--------------|-------|--------------|------|------------------|-----|------------|
| Full Load: | 83,0% | Full Load: | 0,99 | Full Load Ft/Lbs | 3,0 | |
| 3/4 Load: | 72,2% | 3/4 Load: | 0,96 | Locked Rotor % | 273 | |
| 1/2 Load: | 53,4% | 1/2 Load: | 0,94 | Break Down % | 301 | |

| Rotor Inertia Wk2 Lb-Ft2 | Max Load Inertia Wk2 Lb-Ft2 | Shaft Material | Frame Material | DE Bracket Type | ODE Bracket Type | Enclosure | NEMA Rating | Lead Wire Size |
|--------------------------|-----------------------------|----------------|----------------|-----------------|------------------|-----------|-------------|----------------|
| / | / | Steel | Rolled Steel | Aluminium Alloy | | TEFC | IP55 | / |

| Ball Bearings | | Grease | Mount Type | Orientation | Paint | Sound Pressure @ 3FT | Sound Power |
|---------------|------|--------|------------|-------------|-------|----------------------|-------------|
| DE | ODE | | | | | | |
| 6205 | 6203 | | | | | | |

WIRING CONNECTION DIAGRAM : A





Date: 2023-12-22
 Customer: _____
 Contact: _____
 Submittee: J.C. Lavallée

Catalogue #: **MTR-202FDCH**

Meets or exceeds MEPS (Minimum Efficiency Performance Standards), as described by the US Department of Energy in docket 10CFR431 and Natural Resources Canada's Amendment 14

| HP | VAC | RPM | Enclosure | Frame | Frequency | Design | Poles | LR Code Letter | Insulation Class | Temp. Rise °C |
|----|-----|------|-----------|-------|-----------|--------|-------|----------------|------------------|---------------|
| 2 | 230 | 3510 | TEFC | 56HC | 60 | B | 2 | H | F | 42 |

| | 0% | 25% | 50% | 75% | 100% | 125% | 150% |
|-------------|------|--------|-------|--------|-------|--------|-------|
| Load % | 0% | 25% | 50% | 75% | 100% | 125% | 150% |
| Amps | 5,65 | 6,05 | 6,46 | 7,00 | 7,96 | 9,95 | 11,94 |
| Torq ft/lbs | 0 | 0,73 | 1,48 | 2,23 | 2,99 | 3,76 | 4,55 |
| RPM | 0 | 3577,5 | 3555 | 3532,5 | 3510 | 3487,5 | 3465 |
| Eff | 0 | 29,79 | 53,43 | 72,18 | 83,00 | 83,83 | 86,48 |
| PF | 0,00 | 90,00 | 94,04 | 96,22 | 99,20 | 97,22 | 94,24 |

| | Locked Rotor | Pull-Up | Breakdown | Rated Load | Idle | Duty | S. F. | Ambient | Elevation | dBa @ 1M |
|-----------------|--------------|---------|-----------|------------|--------|--------------------------------------|-------|---------|-----------|----------|
| Speed (RPM) | 0 | 1800 | 2880 | 3510 | 3600 | Continuous | 1,15 | 40°C | 3,300 ft | 72 |
| Current (Amps) | 58 | 49,3 | 34,5 | 7,96 | 5,6516 | VFD Rating: Meets MG1 parts 31.4.4.2 | | | | |
| Torque (ft-lbs) | 8,17 | 6,94 | 9,01 | 2,99 | 0,0 | C.T. | 0,85 | V.T. | 0,69 | |

